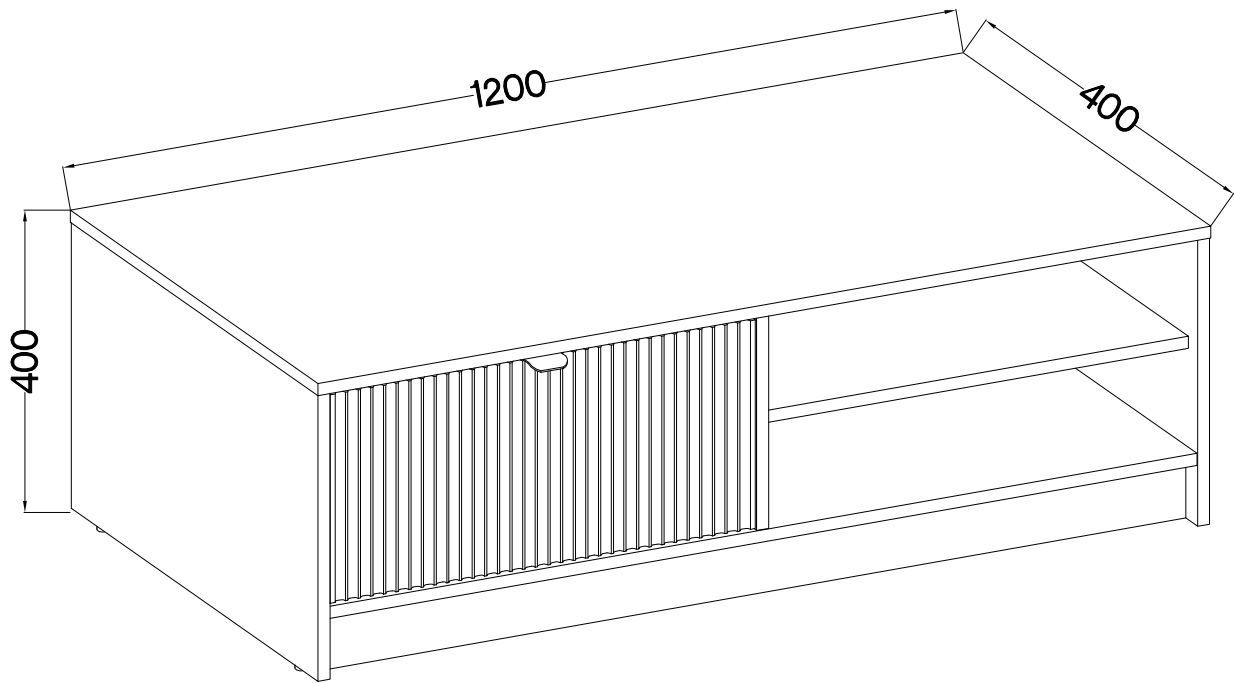
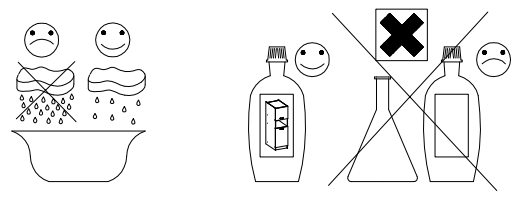
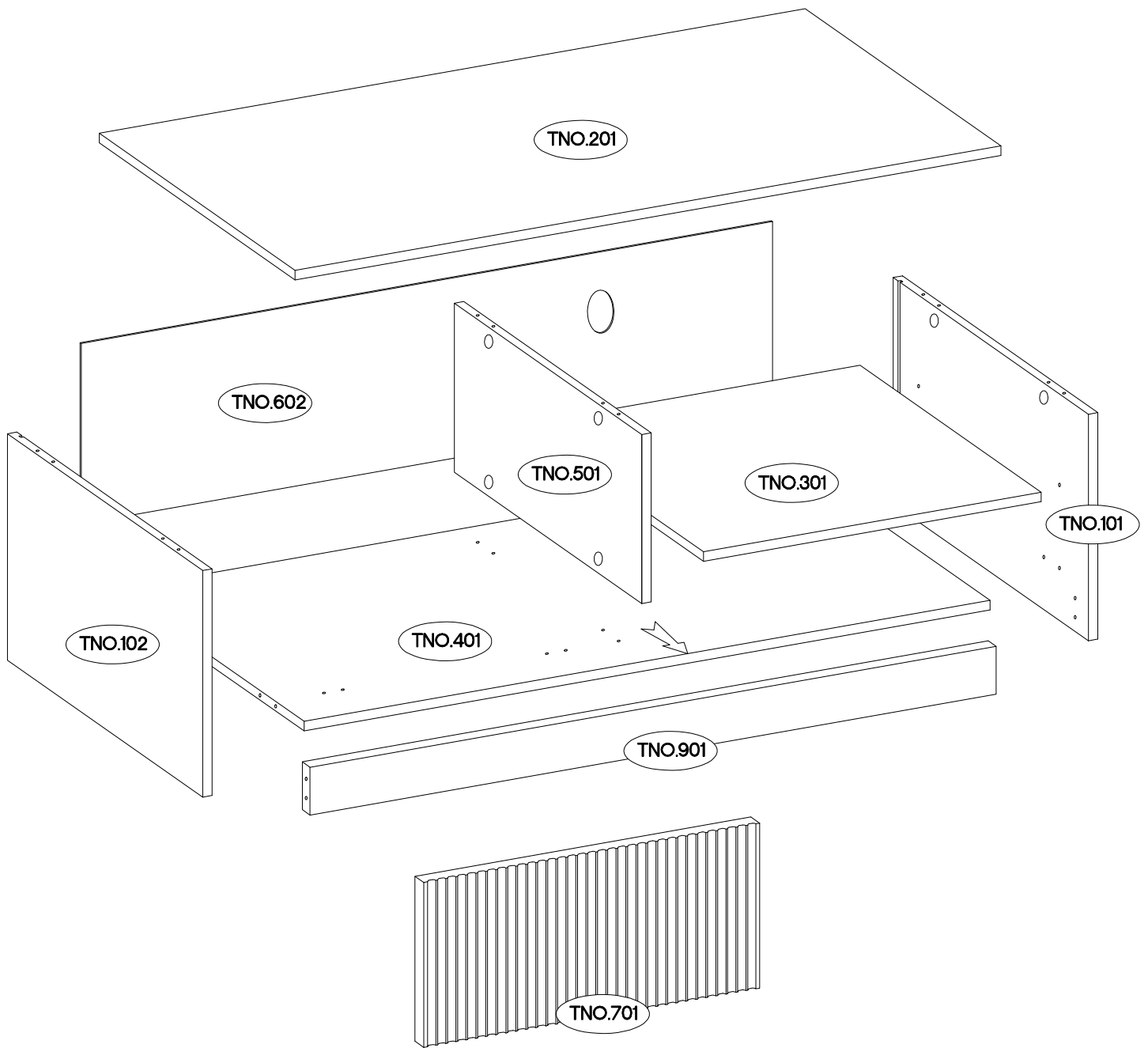


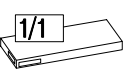
TYP 301

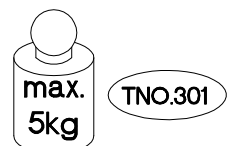


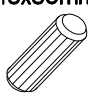
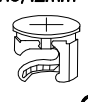





<p>†8x30mm A</p>	<p>†15/12mm C</p>	<p>L=20mm D2</p>	<p>E</p>	<p>†15x5mm F4</p>						
16	12	12	8	5						
<p>†35/16mm HG2</p>	<p>†5/16mm J3</p>	<p>J12</p>	<p>L=270mm 80 N BARKOWY K33</p>	<p>L</p>	<p>†4.0x16mm P1</p>	<p>†3.5x13mm P5</p>	<p>†3.0x20mm P7</p>	<p>L=32mm S</p>	<p>T3</p>	
2	4	1	1	8	2	4	10	1	1	

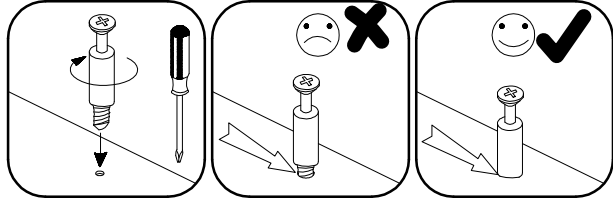
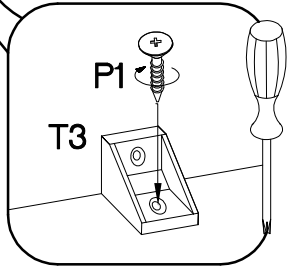
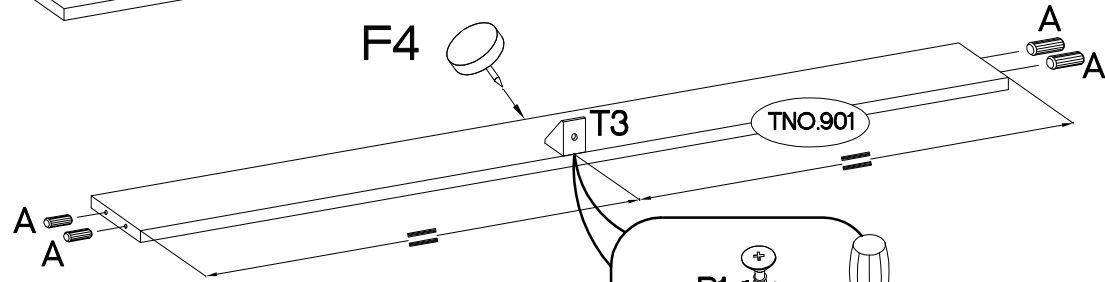
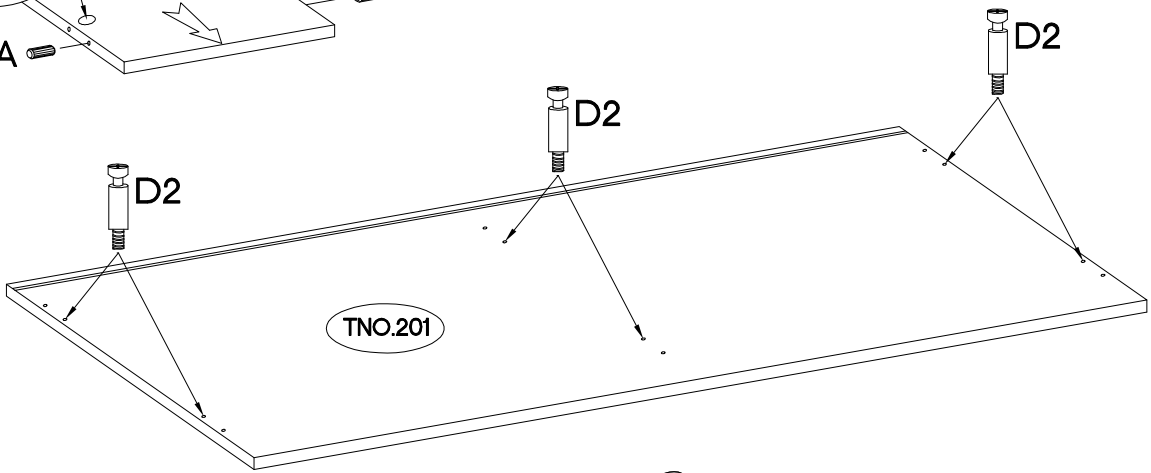
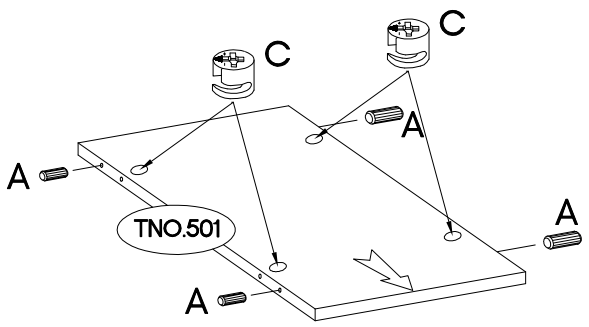
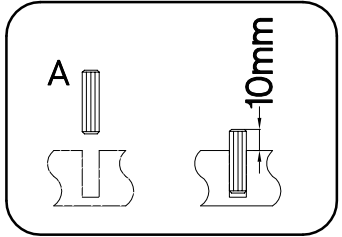
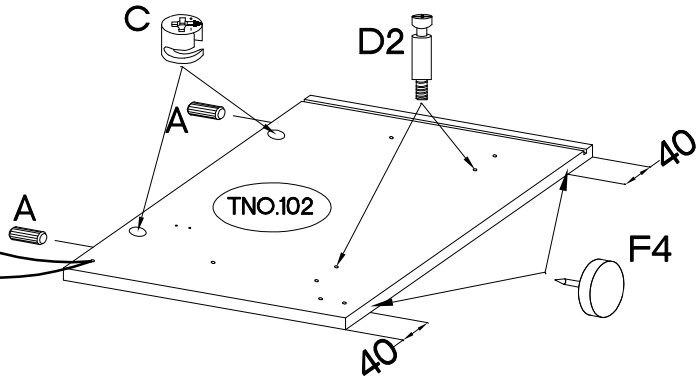
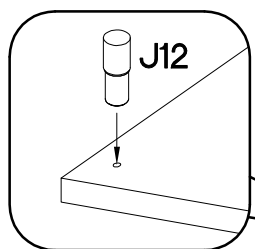
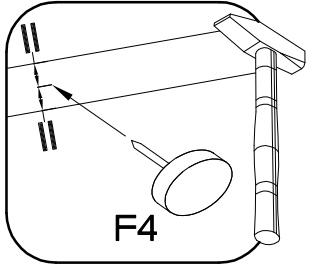
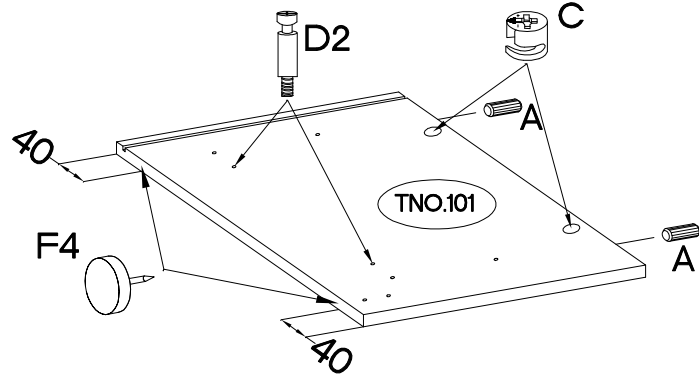
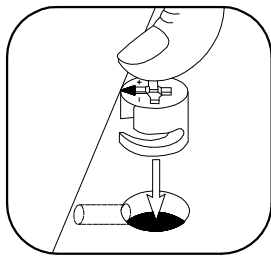
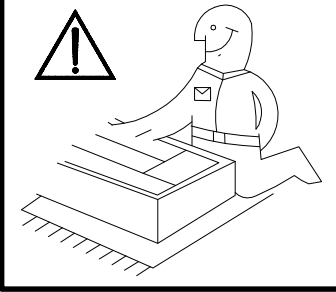
ISM-TNO-001



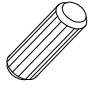
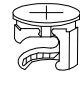
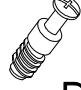
	Ersatzteil Nummer	Dimension
	TNO.101	379x399x16
	TNO.102	379x399x16
	TNO.501	283x383x16
	TNO.201	1200x400x16
	TNO.401	1166x384x16
	TNO.301	574x370x16
	TNO.602	1175x302x2,5
	TNO.901	1166x80x16
	TNO.701	276x571x18

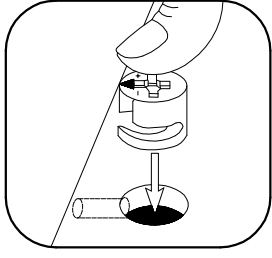
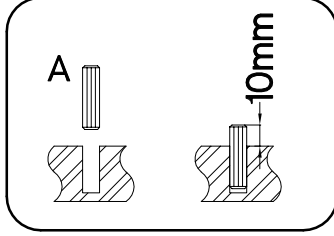
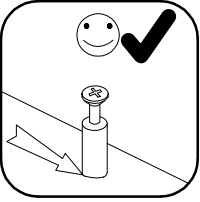
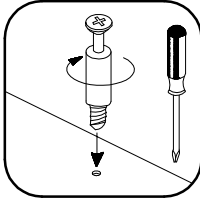
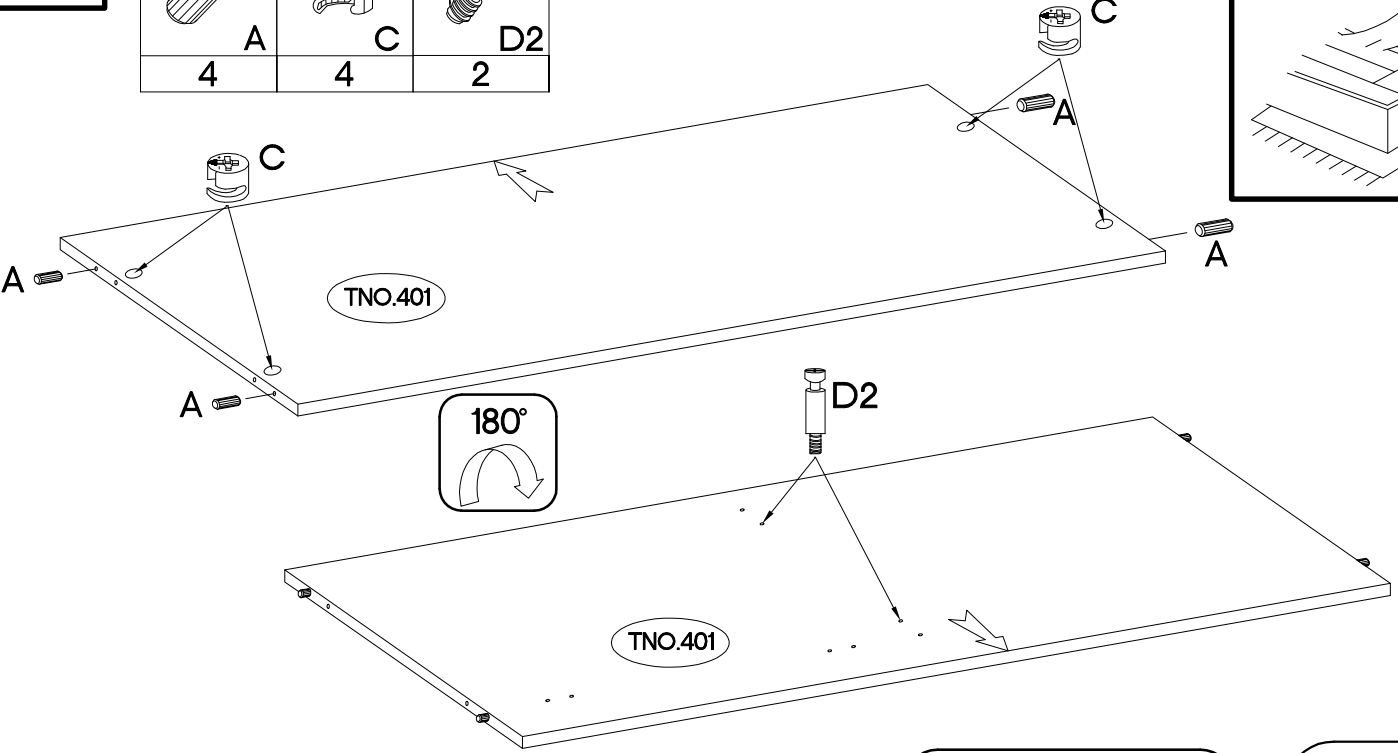
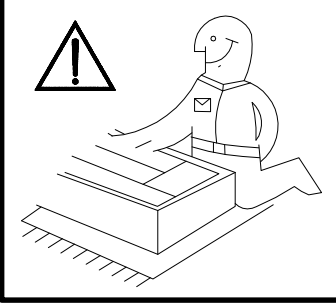


±8x30mm	±15/12mm	L=20mm			±4.0x16mm	±15x5mm
						
A	C	D2	J12	T3	P1	F4
12	8	10	1	1	1	5

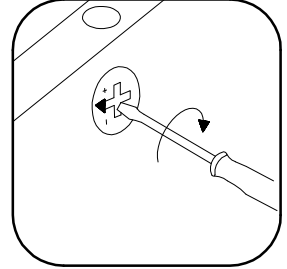
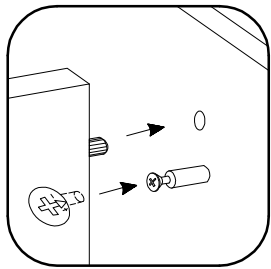
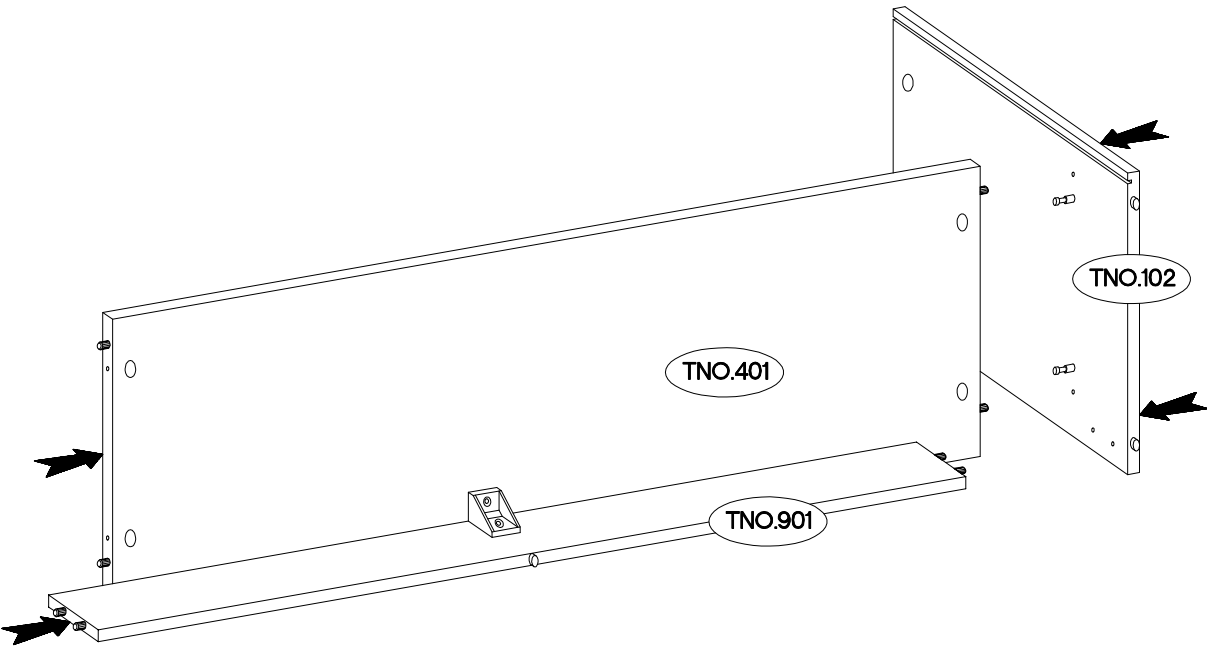


2

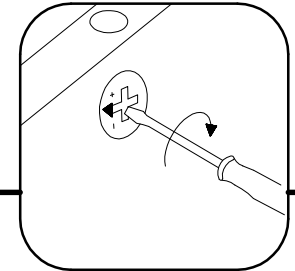
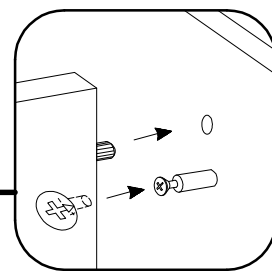
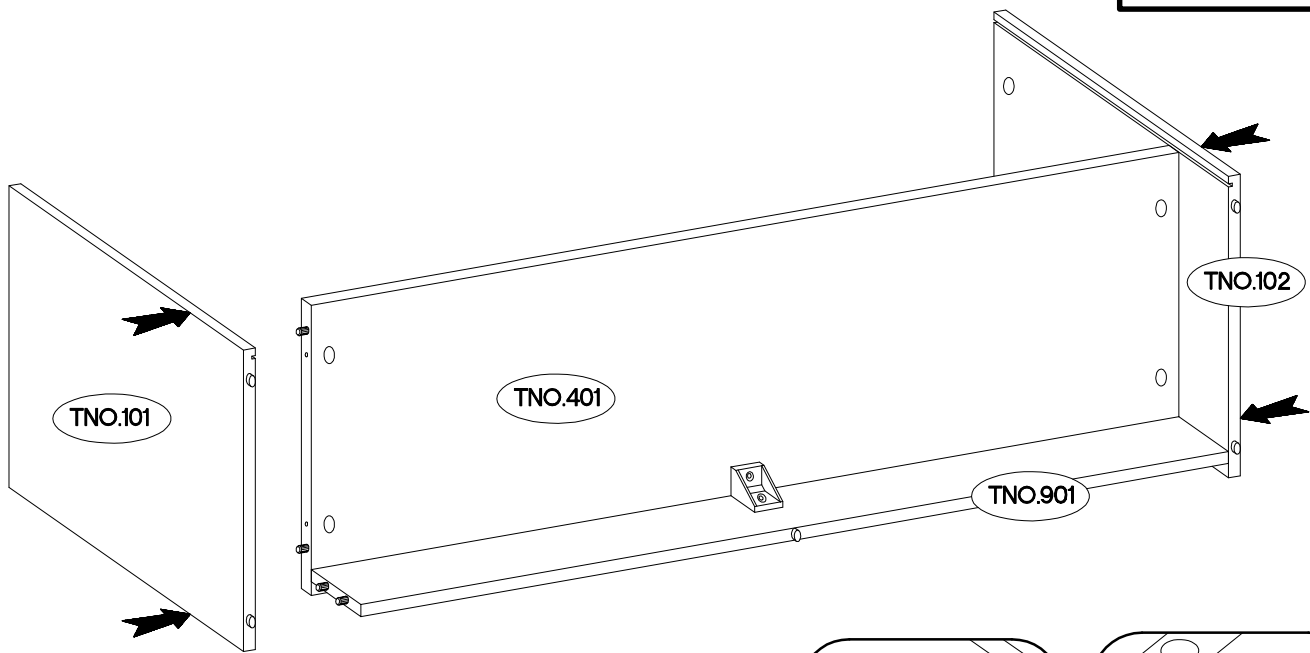
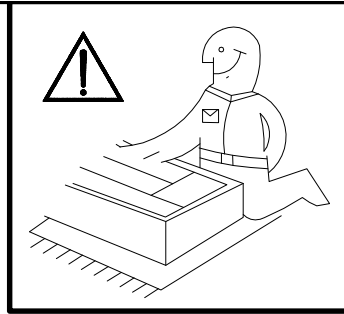
$\varnothing 8 \times 30 \text{mm}$  A 4	$\varnothing 15/12 \text{mm}$  C 4	L=20mm  D2 2
---	---	---



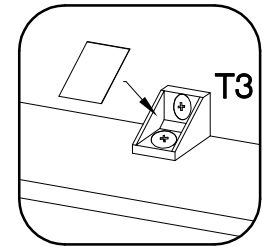
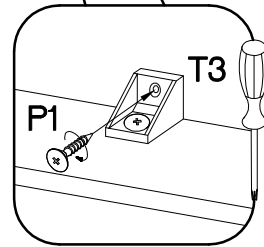
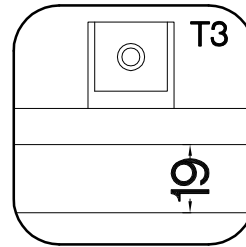
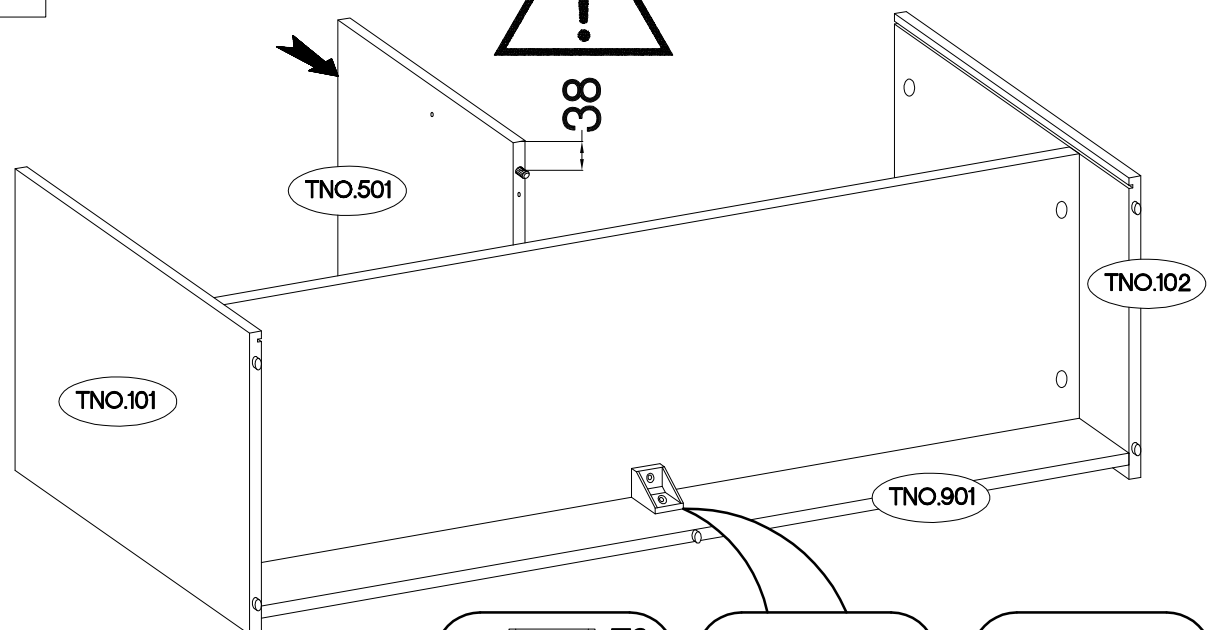
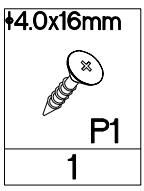
3



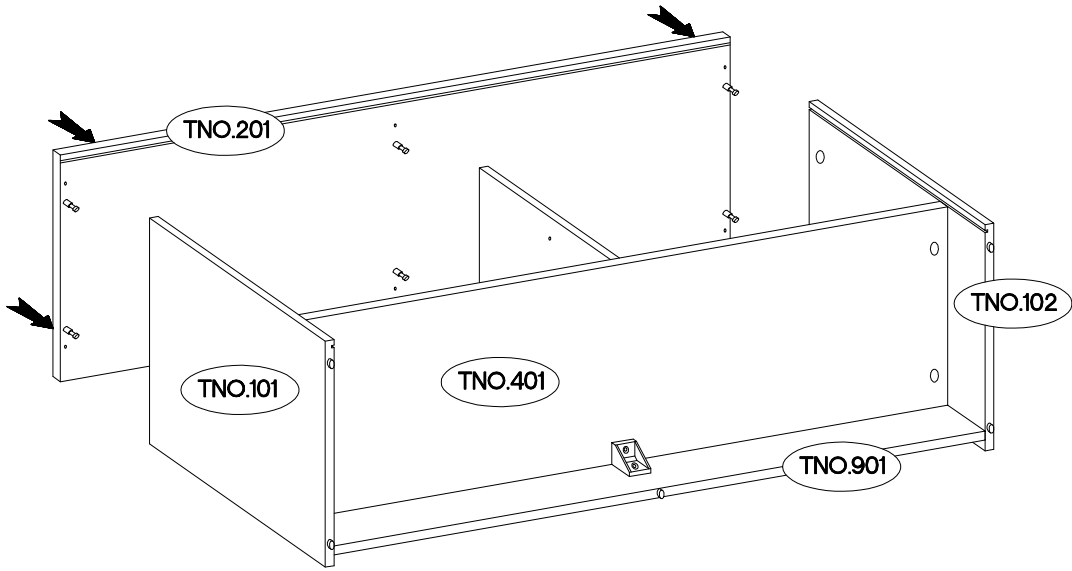
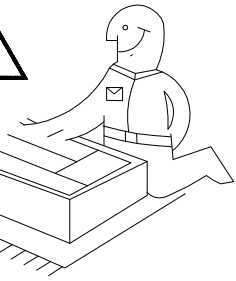
4



5

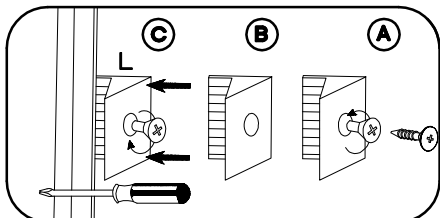
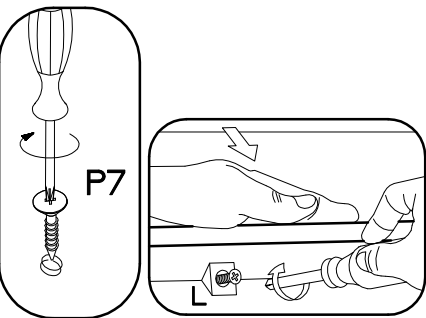
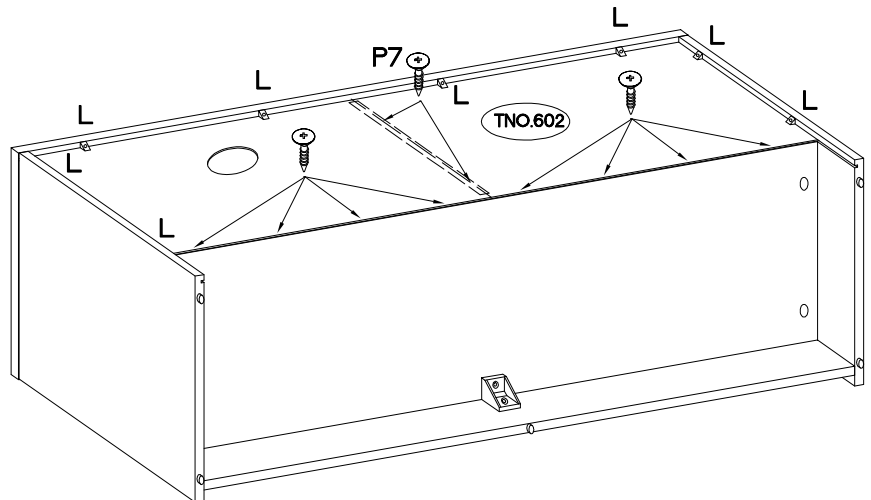
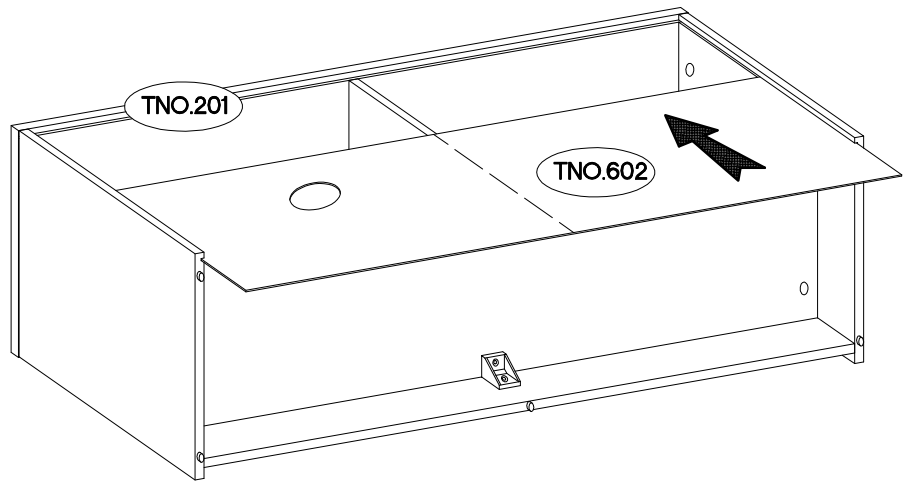
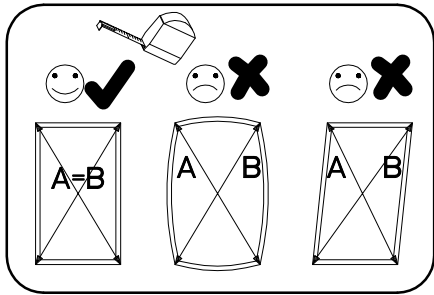
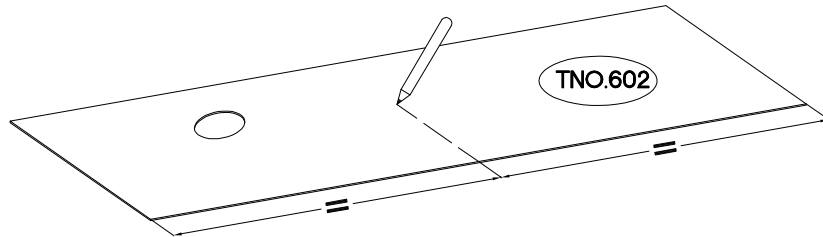


6

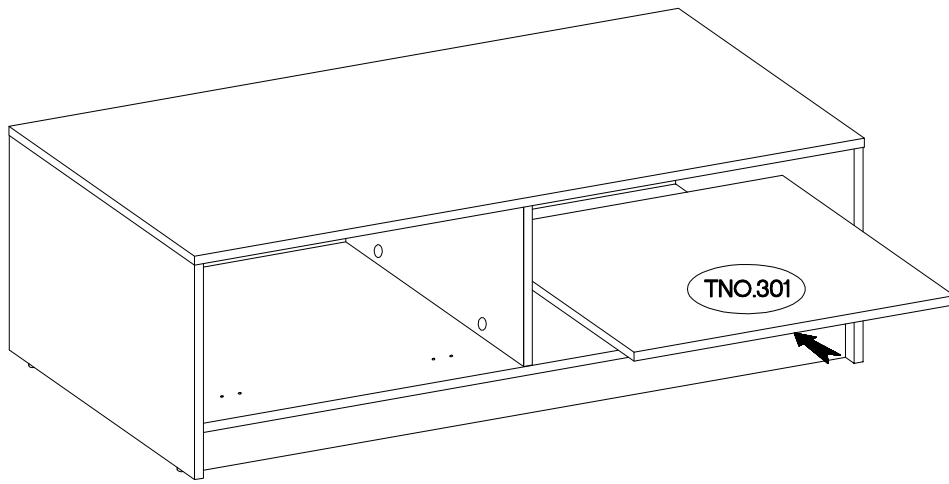


7

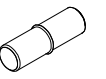
<p>±3.0x20mm</p>	
<p>P7</p>	<p>L</p>
<p>10</p>	<p>8</p>



8

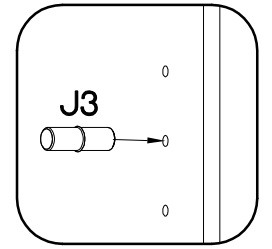


±5/16mm



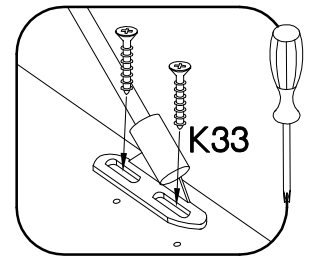
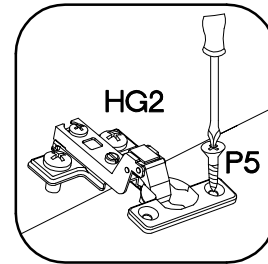
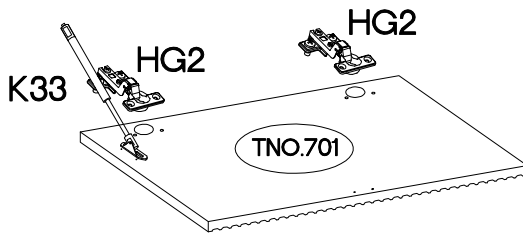
J3

4

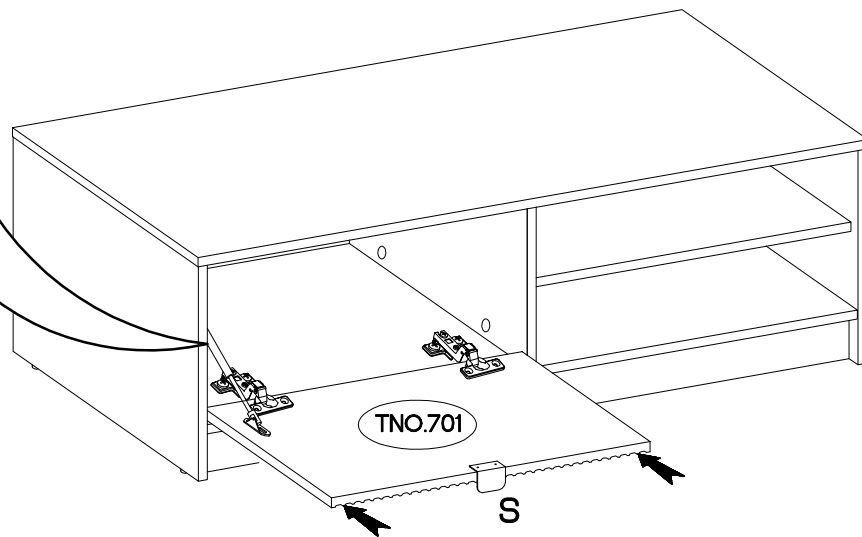


9

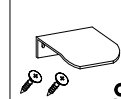
±35/16mm HG2 2	±3.5x13mm P5 4	L=270mm 80 N BARKOWY K33 1
----------------------	----------------------	--



10



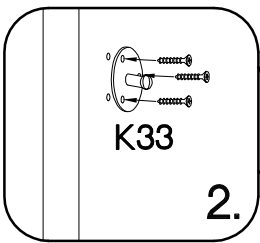
L=32mm



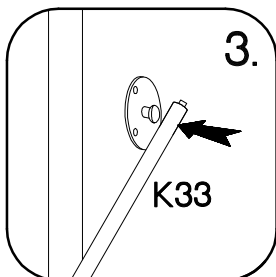
S



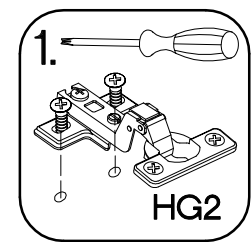
E



2.

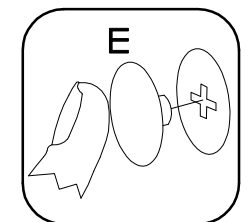


3.

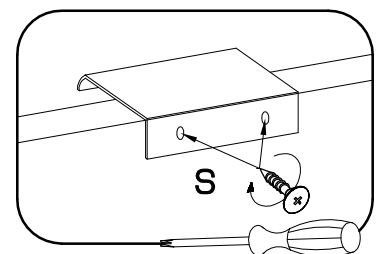
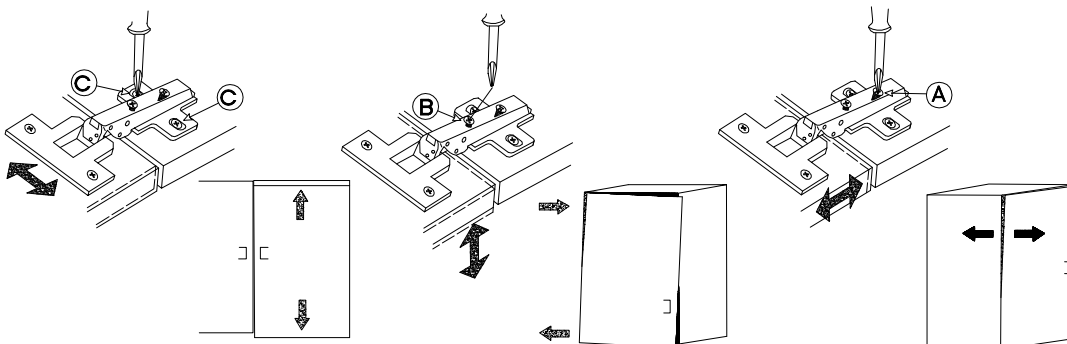


1.

HG2



E



S